

ODYSSEY[®] BATTERY Performance SERIES™

100%

STRONGER
FOR LONGER

30%

MORE DEEP-CYCLE
CAPABILITY



ODYSSEY[®] Battery Performance Series™ 629-DIN B-1300
ODYSSEY[®] Battery Performance Series™ 625-DIN C-1500

TPPL TECHNOLOGY IS HERE

Today's vehicles are more demanding, with vehicle and driver systems now requiring higher performance than conventional batteries were ever designed for.

ODYSSEY[®] Performance Series™ batteries with TPPL (Thin Plate Pure Lead) technology provide the only solution that will truly meet these new demands.

A completely different design, TPPL Battery Technology provides unrivalled usable capacity, strength and life, to power even in the most demanding vehicles, with outstanding total cost of ownership returns.

When considering your next battery, insist on an ODYSSEY Performance Series battery.



To find out more visit discovertppl.com

Powered by **EnerSys**[®]
Power/Full Solutions

POWER THE FUTURE

The TPPL Advantage

ODYSSEY® Performance Series™ batteries harness the power of TPPL (Thin Plate Pure Lead) technology inside.

Advanced manufactured thin plates and high-quality AGM separators, provide more overall power and a longer service life than conventional batteries – this is the TPPL advantage!

Over 100% stronger for longer* – more usable capacity to support the electronic and load demands of your vehicle for over twice as long as any other comparable automotive battery, while still having the power for engine start when you need it.

30% more deep-cycle capability* – this new technology standard enables you to discharge your battery deeper than ever before, while still delivering the same or even better life.

Two-year market leading shelf life* – can be stored on open circuit (with no load across the battery) without recharging for up to 24 months or 12.6V, whichever occurs first.

Longer service life* – service life exceeds any other comparable automotive battery.

The highest CCA value of any comparable automotive battery* – industry-leading CCA rating of up to 1,500 amps with 400 charge-discharge cycles to 80% depth of discharge.

Faster recharge – unlimited charging current and faster charge acceptance leads to reduced engine running costs, less fuel use and more power available.

Vibration resistance – protection against the high impact shocks and vibration that often cause premature battery failure.

More flexible mounting – a maintenance-free, non-spillable design allows mounting on any side, in any position (except inverted).

Extreme temperature tolerance – tried and tested in the most extreme environments operating in temperatures from -40°C to 45°C.

* Performance improvements identified through comparison to conventional automotive flooded batteries.

General Specifications

Model	Nominal Voltage (V)	PHCA	CCA	HCA	MCA	Nominal Capacity		Reserve Capacity (Mins)	Nominal Dimensions (mm)			Weight (kg)	Terminal
						20 Hr Rate-Ah	10 Hr Rate-Ah		Length	Width	Overall Height		
629-DIN B-1300	12	2400	1300	1740	1550	170	153	370	518	223	218	53.3	SAE
625-DIN C-1500	12	2700	1500	2010	1780	220	198	475	518	276	225	65.0	SAE



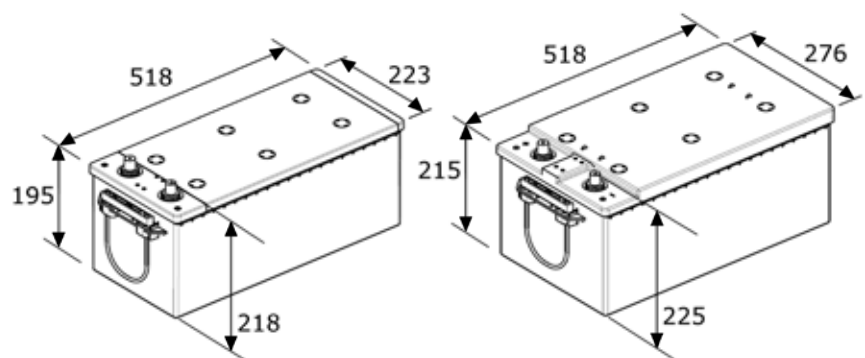
Polypropylene Case and Cover
For durability and temperature tolerance.

Lead Posts
Proven, high integrity, leak resistant terminal seal design.

Pure Lead Plates
To provide more power, the plates in our batteries are constructed from 99.99% pure lead. The plates are extremely thin, so more of them can fit into the battery. More lead plates means more power.

Compressed TPPL Plate Elements
The plate element is highly compressed to deliver exceptional electrical performance and vibration resistance.

Outline Drawings



629-DIN B-1300

625-DIN C-1500



EnerSys World Headquarters
2366 Bernville Road, Reading,
PA 19605, USA
Tel: +1-610-208-1991 /
+1-800-538-3627

EnerSys EMEA
EH Europe GmbH,
Baarerstrasse 18,
6300 Zug
Switzerland

EnerSys Asia
152 Beach Road,
Gateway East Building #11-08,
Singapore 189721
Tel: +65 6416 4800

